

BUILT-IN MICROWAVE OVEN WITH GRILL

USER MANUAL

TG925H3MTBL

Warning notices: Before using this product, please read this manual carefully and keep it for future reference. The design and specifications are subject to change without prior notice for product improvement. Consult with your dealer or manufacturer for details. The diagram above is just for reference. Please take the appearance of the actual product as the standard.

PRODUCT INSTALLATION

INSTALLATION AND CONNECTION

1. This appliance is only intended for domestic use.
2. This oven is intended for built-in use only. It is not intended for counter-top use or for use inside a cabinet.
3. Please observe the special installation instructions.
4. The appliance can be installed in a 60cm wide wall-mounted cupboard.
5. The appliance is fitted with a plug and must only be connected to a properly installed earthed socket.
6. The mains voltage must correspond to the voltage specified on the rating plate.
7. The socket must be installed and connecting cable must only be replaced by a qualified electrician. If the plug is no longer to accessible following installation, an all-pole disconnecting device must be present on the installation side with a contact gap of at least 3mm.
8. Adapters, multi-way strips and extension leads must not be used. Overloading can result in a risk of fire.
9. Don't use under the work surface and that it must not be subject to spillage from containers onto surfaces under which the appliance is installed.

The accessible surface may be hot during operation.



PRODUCT INSTALLATION

INSTALLATION INSTRUCTIONS

The following must be noted

Electrical connection

The appliance is fitted with a plug and must only be connected to a properly installed earthed socket. Only a qualified electrician who takes the appropriate regulations into account may install the socket or replace the connecting cable. If the plug is no longer accessible following installation, an all-pole isolating switch must be present on the installation side with a contact gap of at least 3 mm. Contact protection must be ensured by the installation.

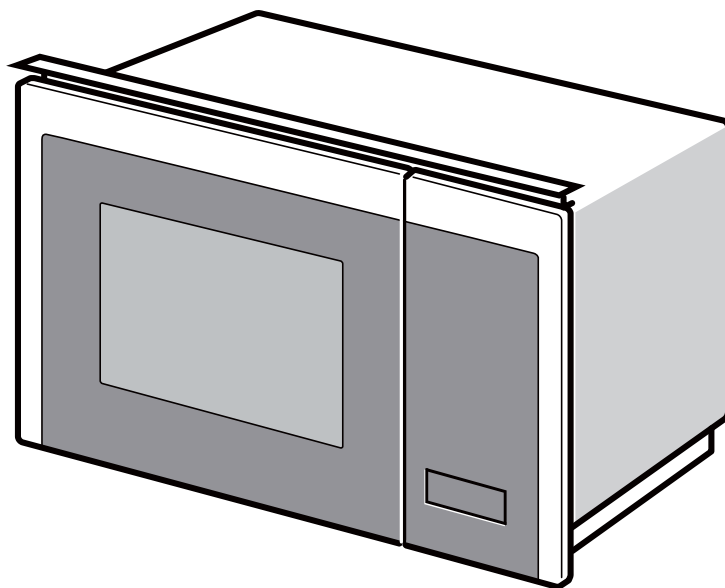
Fitted units

The installation cabinet must not have a back panel behind the appliance. Minimum installation height: 850 mm. Ventilation slots and intakes must not be covered.

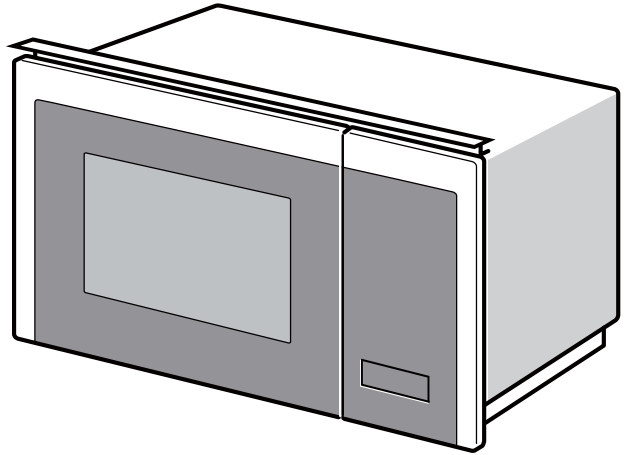
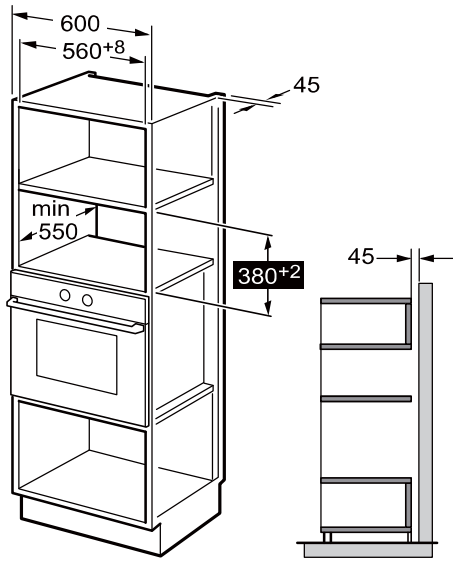
Installing the oven - Fig. 2

Notes:

- (1) Do not trap or kink the mains lead.
- (2) The dimensions in the figures are in mm.



1



2

